

EXC-U24TAL0 LED Linear light



Application Environment:
Indoor
Outdoor

Description:

EXC-U24TAL0 series products are extra-narrow LED linear light with aluminum shell for outdoor landscape decoration. Each lamp 8 pixels, each pixel can achieve 65536 levels of gray changes and each pixel can realize 65536 grade gray scale color changing. EXC-U24TAL0 can be applicable for super large area displaying or outline the building. It also can be used to decorate facade inside and outside, even small area wall-washing effect.

Features:

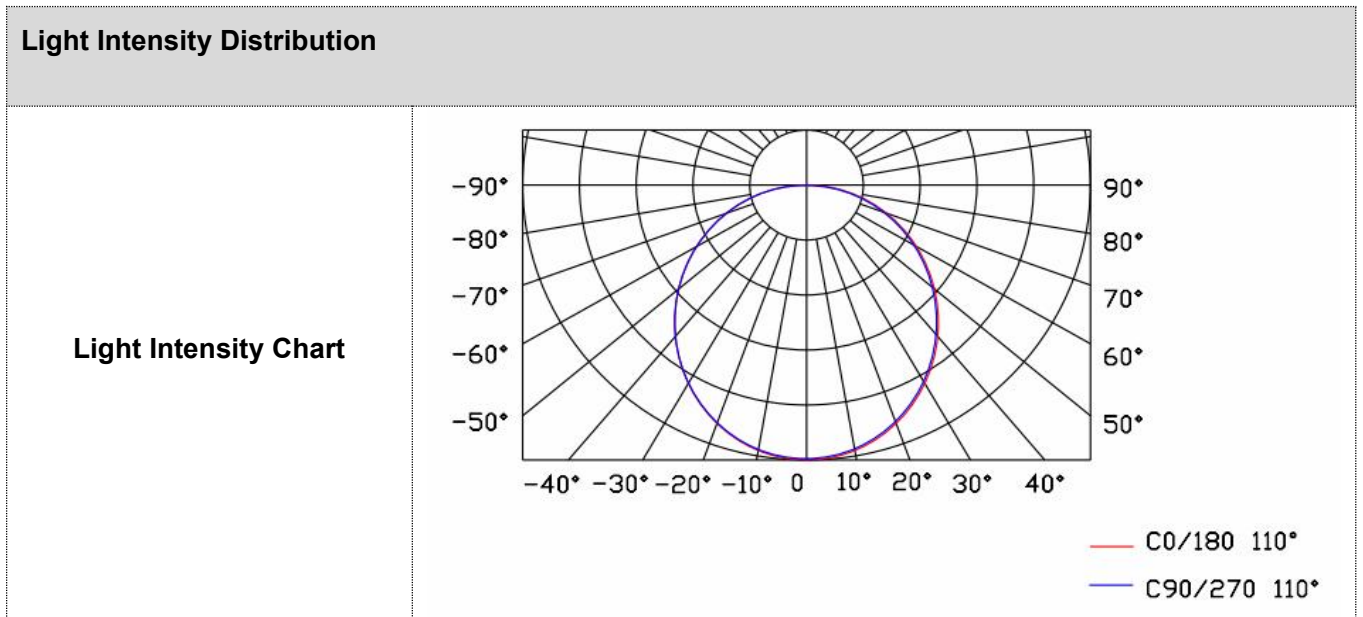
- The newest generation technology: DMX512 parallel bus design
- Support DC48V remote power supply technology.
- Built-in flanking installation
- Full-sealed filling waterproof design by German imported glue
- Aluminum alloy lamp body with low thermal resistance path heat dissipation design
- Outdoor lightning protection and electrostatic discharge (ESD) protection design

Basic Specifications

Color Range	W/RGB/RGBW/RGB+W
Light Source	SMD W/RGB 3in1/RGBW 4in1 LED
Source Life	35,000 h

Material	High strength aluminum alloy/PC lampshade
Weight	0.62Kg
Environmental Specifications	
Working Temperature	-40°C to 50°C
Storage Temperature	-40°C to 70°C
Protection Rating	IP66
Electrical Specifications	
Working Voltage	DC 24V/48V
Max. Power Consumption	18W
Optical Specifications	
Beam Angle	≥110°

Controller	
Host Controller	EXC-Y220、EXC-Y880、EXC-M520、EXC-M620、EXC-M630、EXC-M830、EXC-6000、EXC-8000、EXC-10000
Slave Controller	EXC-2905T、EXC-S880



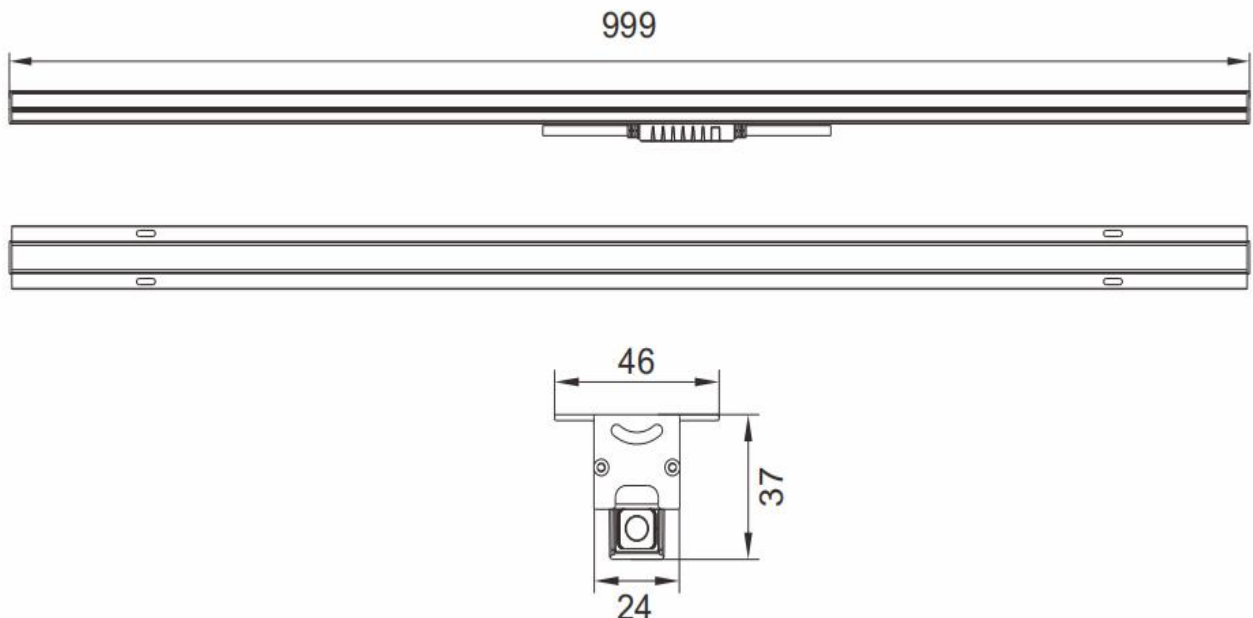
Order Info

Product Model	Voltage	Power	Light Source	Control Protocol	Gray Scale Level	Material	Luminous Efficacy	LED Brand
U24TAL0	DC24V	12W	48pc RGB	DMX512	256 /65536	Aluminum+PC	≥25lm/w	Optional
U24TAL0	DC24V	15W	60pc RGB	DMX512	256 /65536	Aluminum+PC	≥25lm/w	Optional
U24TAL0	DC24V	15W	48pc RGBW	DMX512	256 /65536	Aluminum+PC	≥35lm/w	Optional
U24TAL0	DC24V	12W	24pc RGB+24pc W	DMX512	256 /65536	Aluminum+PC	≥35lm/w	Optional
U24TAL0	DC24V	18W	60pc RGBW	DMX512	256 /65536	Aluminum+PC	≥35lm/w	Optional
U24TAL0	DC24V	15W	30pc RGB+30pc W	DMX512	256 /65536	Aluminum+PC	≥35lm/w	Optional
U24TAL0	DC48V	10W	48pc RGB	DMX512	256 /65536	Aluminum+PC	≥25lm/w	Optional
U24TAL0	DC48V	10W	48pc RGBW	DMX512	256 /65536	Aluminum+PC	≥35lm/w	Optional

Note 1: LED brands: CREE/OSRAM/LUMILEDS/Taiwanese/Chinese options available

Note 2: For optical parameters above 2700K, CREE/OSRAM/LUMILEDS chips are used as references

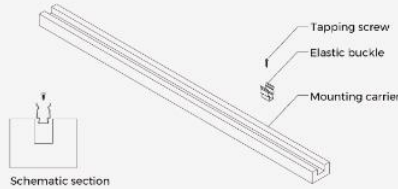
Physical Dimension:
Unit: mm



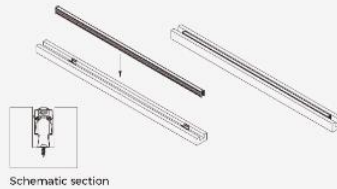
Installation Diagram:

Elastic Snap Mount

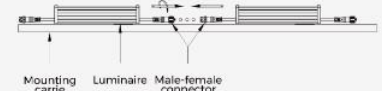
Note: The product is installed vertically and the fall arrest wire rope must be added.



1. Use ST4 self-tapping screws to fix the elastic clips to the position of the mounting carrier. The exact spacing is required by the length of the luminaire;



2. Snap the fixture onto the elastic clips, taking care to install it securely;

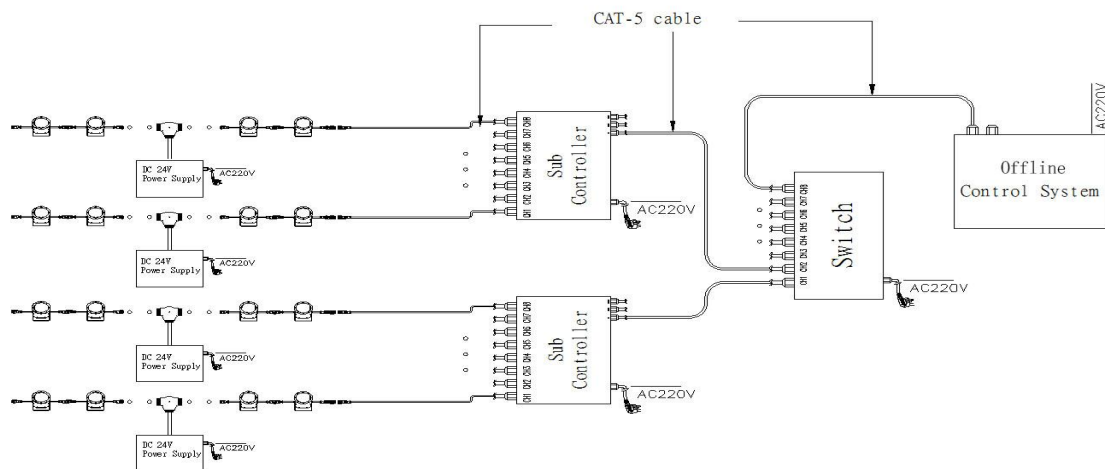


3. Finally, after inserting the male and female connectors, turn the knob on the female end to lock it, take care to install it firmly.

System connection diagram:

- 1、 Host controller should connect with slave controller. Working voltage for controllers are AC220V.
- 2、 On-line main controller should connect with slave controller, on-line main controller and sub controller working voltage are AC220V.
- 3、 each sub-controller with 8 ports, with each port 512 pixels, supporting data converter, supports 100 meters ultra-long haul transmission.
- 4、 The CAT-5 e. cable distance should be within 100 meters between host controller and slave controller, between slave controllers and switch, etc.
- 5、 the maximum spacing of not more than 5 meters, more than the need to add a signal amplifier.

Offline Controlling System Diagram



Online Controlling System Diagram

