

Product Specifications

Product Name: LED Street Light

Product Model: EXC-RL-Z02-XXX

Version Number: R001

● Product Description

- EXC-RL-Z02 series adopts integrated die-casting streamlined design, beautiful and generous, with a variety of light distribution options to adapt to all road lighting, forming an optimized road lighting environment.
- Using integrated lamp body heat dissipation technology to provide excellent heat dissipation management performance. The maximum heat dissipation effect ensures the performance and lifespan of the lamp, and the design of the lamp is more compact and smarter.
- The photoelectric separation design ensures the stability of each system and avoids heat accumulation.
- High protection design, high impact resistance and waterproof and dustproof performance
- International first-line light source and power supply, provide high performance and high reliability, and reduce operating costs.
- EXC-RL-Z02 series with its high performance, high reliability, high light control technology has become a very competitive solution for road lighting, and its beautiful shape will also become a unique landscape of the city.

● Product Features:

- Integrated die-casting type, beautiful and generous.
- Modern, streamlined and self-cleaning lamp design with smooth surface.
- The power supply cavity is designed to open quickly with bare hands, and the upper flip cover is convenient for maintenance and installation.
- The surface of the lamp housing is painted by electrostatic powder spraying, which is resistant to corrosion and aging; the color is elegant.
- A variety of smart interfaces, lamps are more intelligent and digital;
- A variety of light distribution options are available to meet the application of different road conditions;
- Brand light source and power supply, high-efficiency matching, extra long service life.

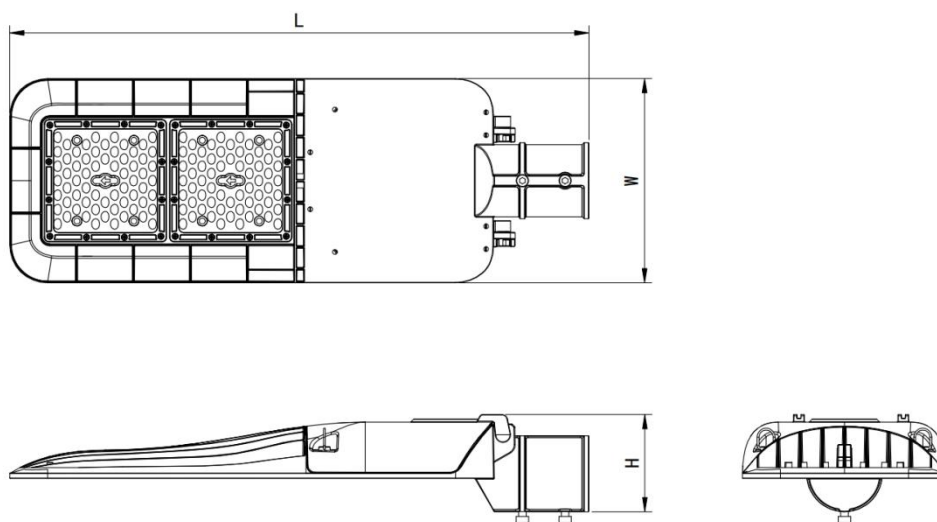
● Applications :

- This product is used for road lighting, square lighting, sports field lighting, etc. of highways, expressways, main roads, secondary roads, etc. It is a product specially designed to fully meet the special needs of road lighting. The use of international first-line light sources, combined with professional light distribution design, and thermal, structure and circuit, and power supply design make the product extremely cost-effective. It is an efficient green, energy-saving and environmentally friendly lighting product.

- Product Images:



- Product Size Chart:



Power(W)	Dimensions (mm)			Maximum Windward Area(m2)	Weight (kg)
	L	W	H		
40-80	478	215	102	0.088	3.2
90-120	610	215	102	0.116	3.8

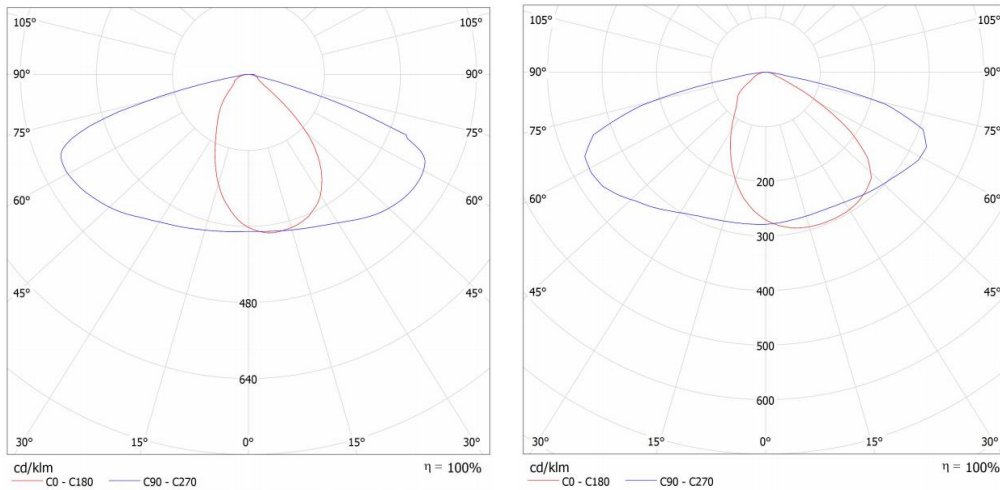
● Specifications:

Product Model	EXC-RL-Z02-060	EXC-RL-Z02-90
Power(W)	60	90
Configuration	Standard product configuration (3030 light source)	
Input Voltage (V)	90-305Vac	
Frequency Range (Hz)	50\60Hz ±3Hz	
Power Factor (PF)	≥0.95	
Power Efficiency	≥0.90	
Rated Input Voltage	220-240Vac	
Input Voltage Range	90-305Vac	
Maximum Input Current (A)	0.73	1.45
THD	< 15%	
Light Source	Philips 5050	
Driver	MOSO	
Efficiency (lm/W)	≥140	
CRI	> 70	
CCT	3000K/4000K/5000K/5700K	
Light Distribution	TYPE2 /TYPE3 /TYPE4	
Tc (°C)	≤80 (Ta=25°C)	
Operation Temperature (°C)	-30 ~ +50	
Operating Humidity	10%-90%	
Lifespan (H)	> 50000H	
IK	IK08	
IP	IP66	
Net Weight(kg)	3.2	3.8
Gross Weight(kg)	4.4	5.3
Product Size (mm)	L478*W215*H102	L610*W215*H102

Packing Meas.(mm)/Pieces	L560*W295*H185/1pcs	L690*W295*H185/1pcs
Material	Aluminum alloy ADC12/PC	
Installation	Horizontal installation / mounting interface arm ϕ 40-60mm	

1. The efficiency is the lowest, and the highest can be up to 150 lm/W; the solutions can be matched according to actual needs;

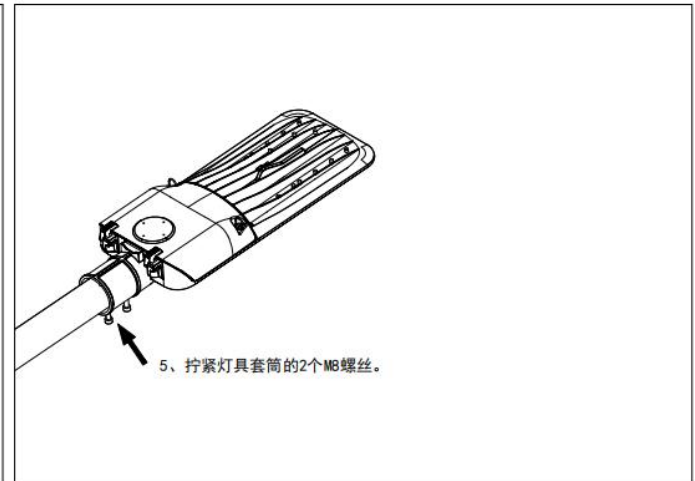
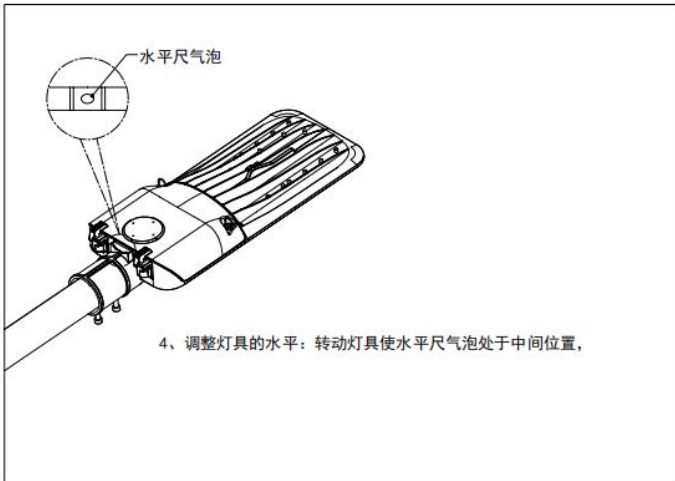
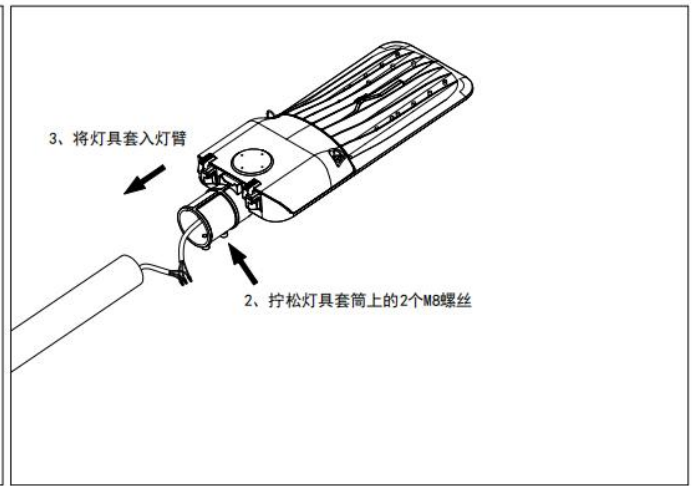
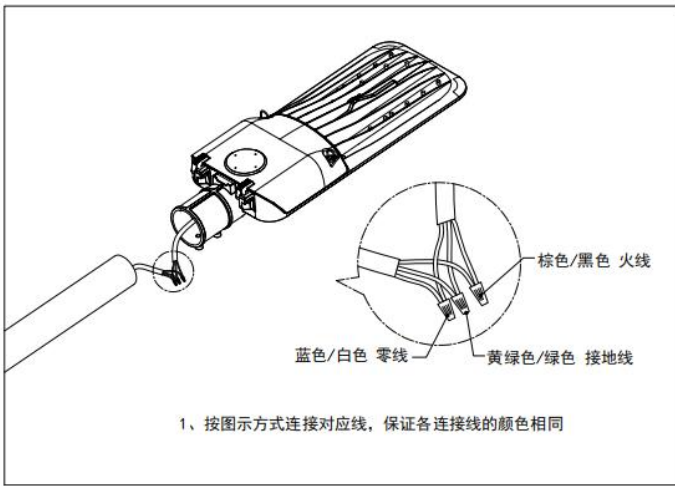
Light Distribution Curve



Installation Diagram



Warning: 1. It is strictly forbidden to install lamps with power on! 2. The lamps should be grounded reliably.



- Brown/black live wire
- Blue/white neutral wire
- Yellow-green/green earth wire
- Level bubble
- 1. Connect the corresponding lines as shown in the figure, and ensure that the colors of the connecting lines are the same
- 2. Loosen the two M8 screws on the lamp sleeve
- 3. Put the lamp into the lamp arm
- 4. Adjust the level of the lamp: turn the lamp so that the level bubble is in the middle position
- 5. Tighten the two M8 screws of the lamp sleeve

Optional

0/1-10V dimming, time control, light sensor, Internet of Things control, etc.;

3-pin, 5-pin, 7-pin NEMA base;

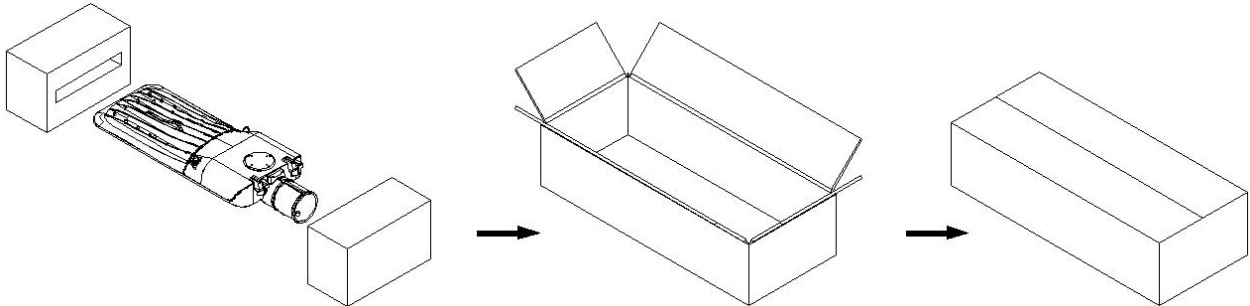
Seaside anticorrosive coating;

Electrical isolation switch;

10KV or 20KV surge protection;

Pole fixing: 60-42mm, 76-60mm.

Packaging



Notes:

Before using this product, please read the following precautions carefully so that you can better apply this product correctly.

1. There are different warranty among different product models, please consult relevant personnel for details;
2. Open the package, check the product carefully, and handle with care to avoid scratches;
3. If you find any damage, please keep the package and contact our company in time;
4. Please do not try to use damaged products;
5. This product is a professional product, installation and maintenance require qualified electricians to operate;
6. Do not look directly at the lamp for a long time to avoid damage to your eyes.
7. The company is not responsible for the following cases:
 - a) For damage caused by fires, earthquakes, riots, wars, terrorist attacks, acts of third parties, and other matters;
 - b) Damage caused by the customer's intention or negligence, misuse, use under other abnormal



conditions, etc.;

c) Incidental damage caused by the function or use of this product [interruption of business, loss of business interests (including loss of use of equipment, cost of replacing any equipment, device or service, or your customer' s claims);

d) Damage caused by using methods other than the contents of this manual;

e) Under any circumstances, such as operation, cleaning or warranty, please be sure to abide by the safety rules; if there is a violation that causes safety concerns beyond the original design and manufacturing, the company will not be responsible.