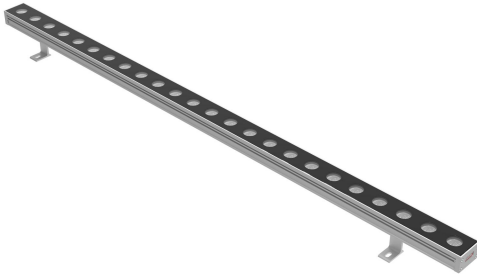


### EXC-W45KBL /KBH Multi-pixel LED Wall Washer



Application Environment:  
Indoor  
Outdoor

#### Description

**EXC-W45KBL series** are high power outdoor landscape LED wall washer with high strength aluminum alloy housing by EXC-LED. EXC-W45KBL can be used for accent lighting or flood lighting, such as building facade, bridge, stage, etc. Versatile length allows various options.

#### Features

- The newest generation technology: DMX512 parallel bus design
- Professional comb convection heat dissipation design
- Unique full structure waterproof design
- Low thermal resistance path heat dissipation design
- Outdoor lightning protection and electrostatic discharge (ESD) protection design

#### Basic Specifications

Color Range	W/RGB/RGBW
Light Source	36/24pcs SMD W LEDs 36/24pcs SMD RGB LEDs 24/18pcs SMD RGBW LEDs
Source Life	50,000 h
Material	High Strength Aluminum housing + tempered glass
Weight	1.61Kg

#### Environmental Specifications

Working Temperature	-40°C to 50°C
Storage Temperature	-40°C to 70°C
Protection Rating	IP66

#### Electrical Specifications

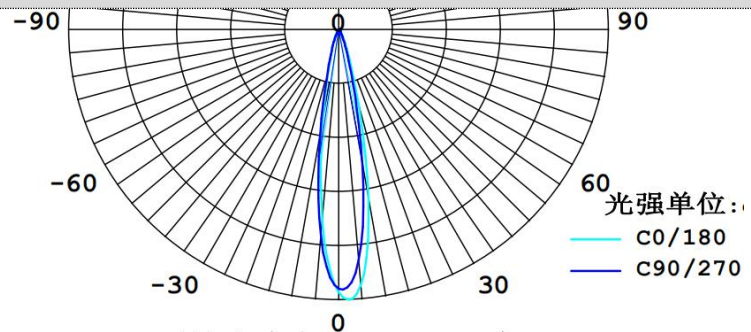
Working Voltage	DC 24V/AC220V
Max. Power Consumption	48W

#### Optical Specifications

Luminous	W(: 1440LM/1920LM RGB: 720LM/960LM RGBW: 1080LM/1440LM
Beam Angle	12*22°、12*45°、16*50°、20*40°、10°、15°、17°、20°、25°、30°、45°、60° .. And other available
<b>Controller</b>	
Host Controller	EXC-4000、EXC-5000、EXC-6000、EXC-8000、EXC-10000、EXC-ELAN
Slave Controller	EXC-2900
<b>Data Interface</b>	
Data Adapter	-
Signal Cable	EXC-LED outdoor special cable

### Light Intensity Distribution

Light Intensity Chart:

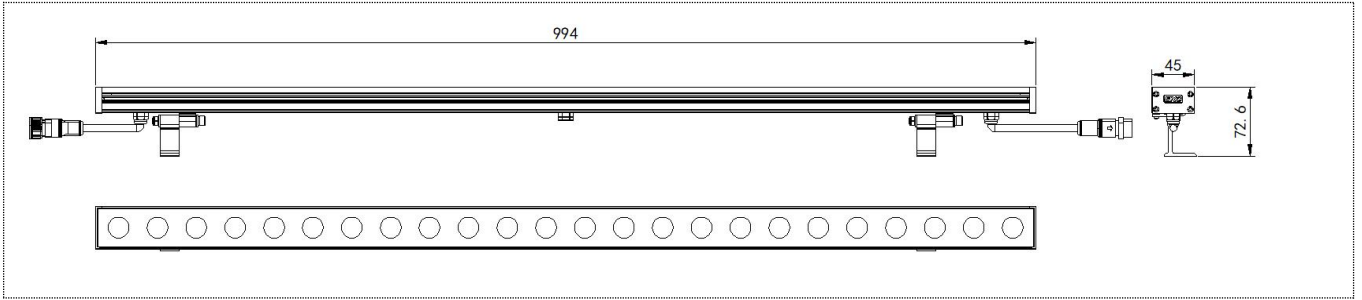


### Order Info

Series	Model	LED Source	Color	Control	Grey Scale	Segment	Default Feedback	Material	Working Voltage	Wattage	Lumen Output	LED Brand
K	EXC-W 45KBL-W36	36pcs SMD W LEDs	W	ON/OFF	-	-	No	Aluminum	DC24V	36W	1440LM	Optional
	EXC-W 45KBL-W24	24pcs SMD W LEDs	W	ON/OFF	-	-	No	Aluminum	DC24V	48W	1920LM	Optional
	EXC-W 45KBL-M24	24pcs SMD RGB LEDs	RGB	DMX512	-	1	No	Aluminum	DC24V	36W	720LM	Optional
	EXC-W 45KBL-M36	36pcs SMD RGB LEDs	RGB	DMX512	-	1	No	Aluminum	DC24V	48W	960LM	Optional
	EXC-W 45KBL-F18	18pcs SMD RGBW LEDs	RGBW	DMX512	-	1	No	Aluminum	DC24V	36W	1080LM	Optional
	EXC-W 45KBL-F24	24pcs SMD RGBW LEDs	RGBW	DMX512	-	1	No	Aluminum	DC24V	48W	1440LM	Optional

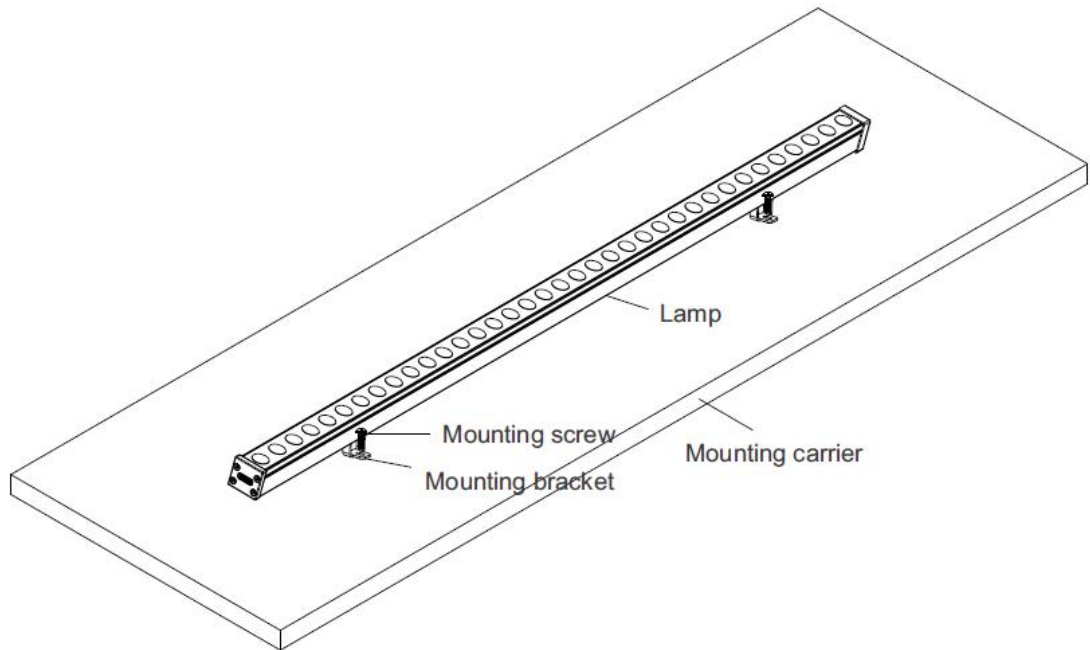
### Physical Dimension

Unit: mm



### Installation Diagram

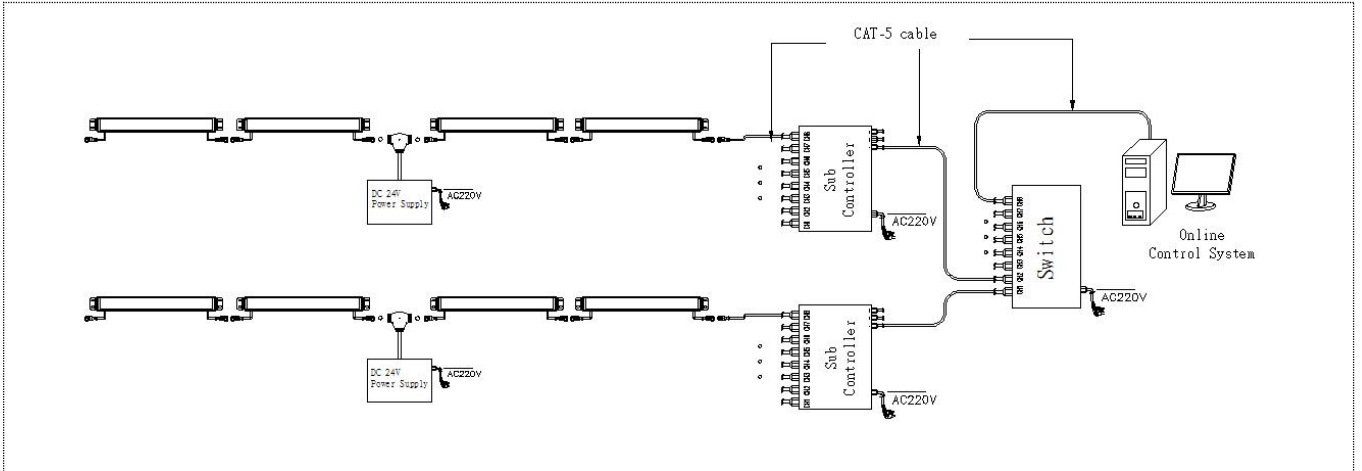
Use M4 expansion screws to fix the mounting seat to the required position as shown in the figure.  
The specific spacing shall be based on the length of lights.



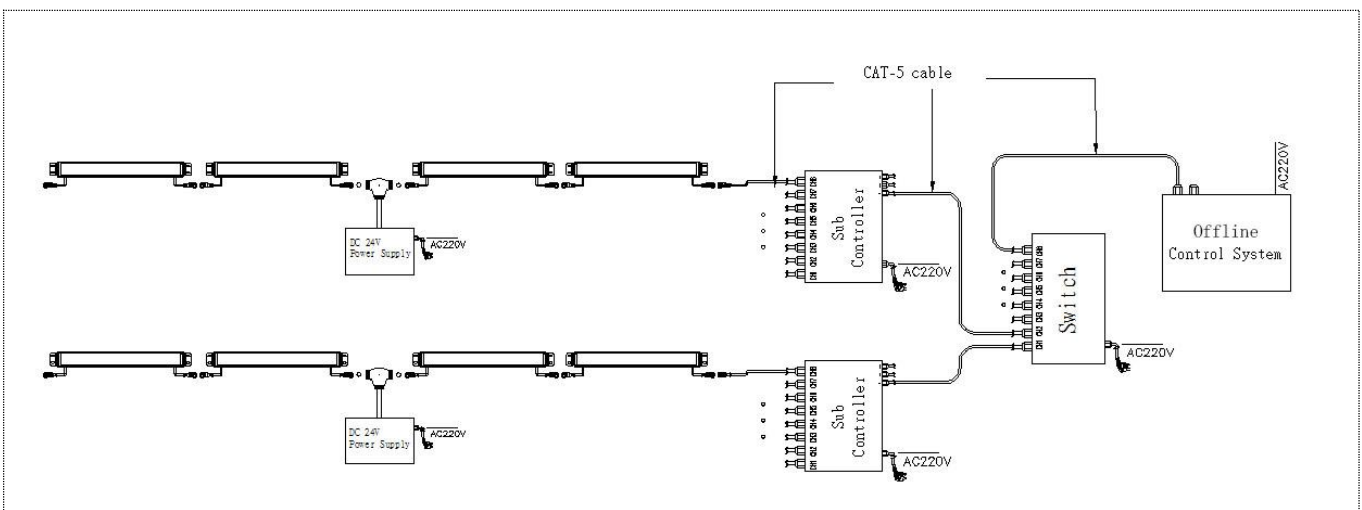
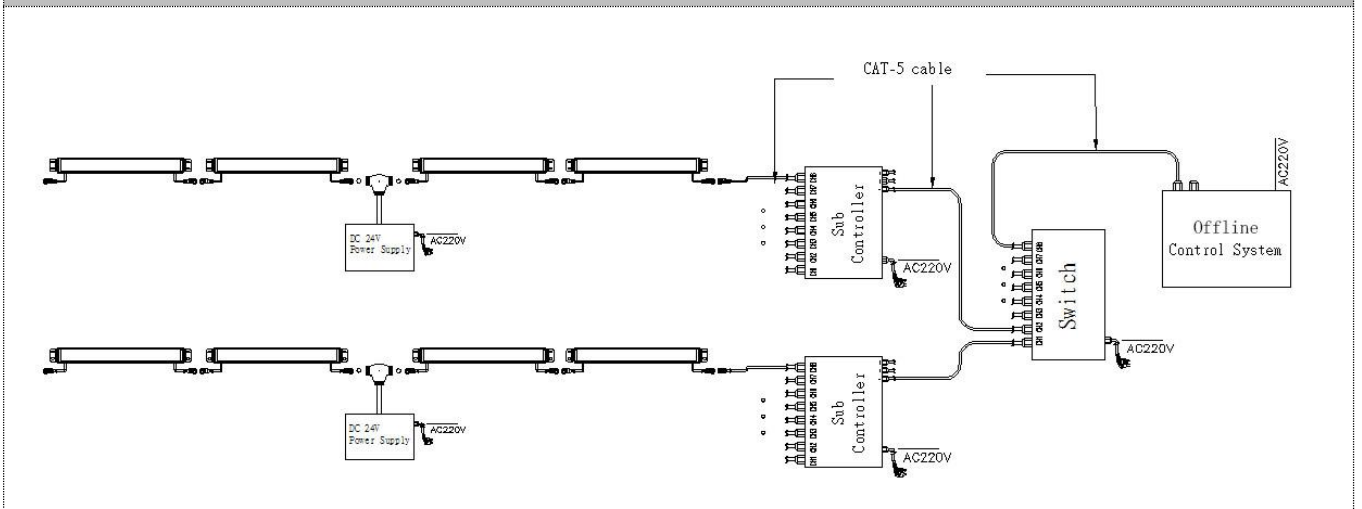
### System connection diagram:

- 1、 Host controller should connect with slave controller. Working voltage for controllers are AC220V.
- 2、 On-line main controller should connect with slave controller, on-line main controller and sub controller working voltage are AC220V.
- 3、 each sub-controller with 8 ports, with each port 512 pixels, supporting data converter, supports 100 meters ultra-long haul transmission.
- 4、 The CAT-5 e. cable distance should be within 100 meters between host controller and slave controller, between slave controllers and switch, etc.

### Offline Controlling System Diagram



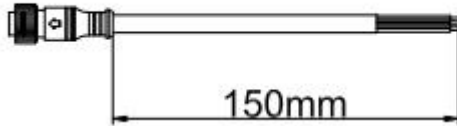
**Online Controlling System Diagram**



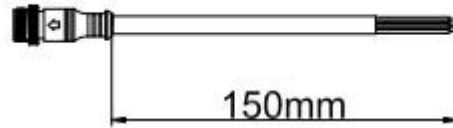
**Accessories :**

**1: Female and Male Connector( Connect to first dot light for signal transmission)**

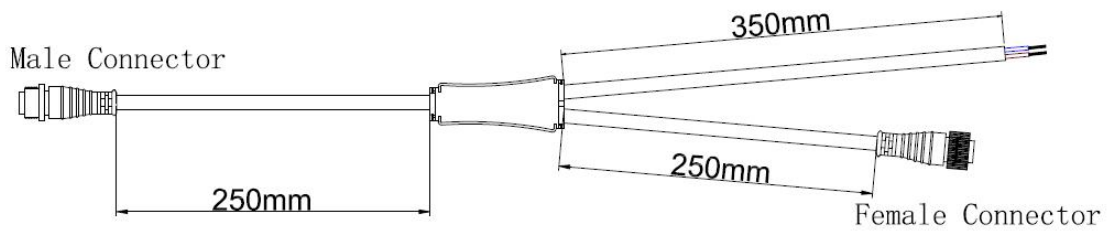
Female Connector



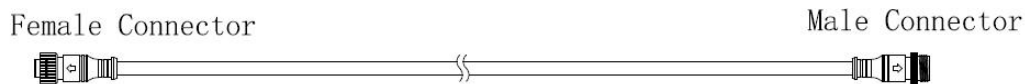
Male Connector



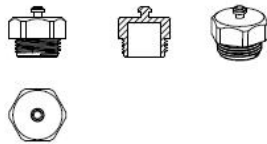
**2: Y Shape Connector(For power Distribution)**



**3: Interconnection Cable(1.3M,3M,5M is standard length)**



**4: End Cap**



Male Connector



Male Connector