

ANS EXC-SP32 线光灯 LED Linear light



应用环境:

Application Environment:

室内 Indoor

室外 Outdoor

产品描述: Description

EXC-SP32系列产品是爱克莱特专为户外景观照明设计的一款特窄铝型材外壳SMD视频线光源,可用于建筑物立面超大面积显示,轮廓沟边,内外表面装饰亮化,小范围内洗墙,安装简单可靠.

EXC-SP32 series products are extra-narrow LED linear light with aluminum shell for outdoor landscape decoration. EXC-SP32 can be applicable for super large area displaying or outline the building. It also can be used to decorate facade inside and outside, even small area wall-washing effect.

产品特点: Features

- 新一代DMX512并行总线技术设计
- The newest generation technology: DMX512 parallel bus design
- 德国进口胶全灌封防水设计
- Full-sealed filling waterproof design by German imported glue
- 铝合金灯体配合低热阻路径散热设计
- Aluminum alloy lamp body with low thermal resistance path heat dissipation design
- 户外防雷及静电(ESD)专用防护设计
- Outdoor lightning protection and electrostatic discharge (ESD) protection design

基本参数Basic SP32 specifications

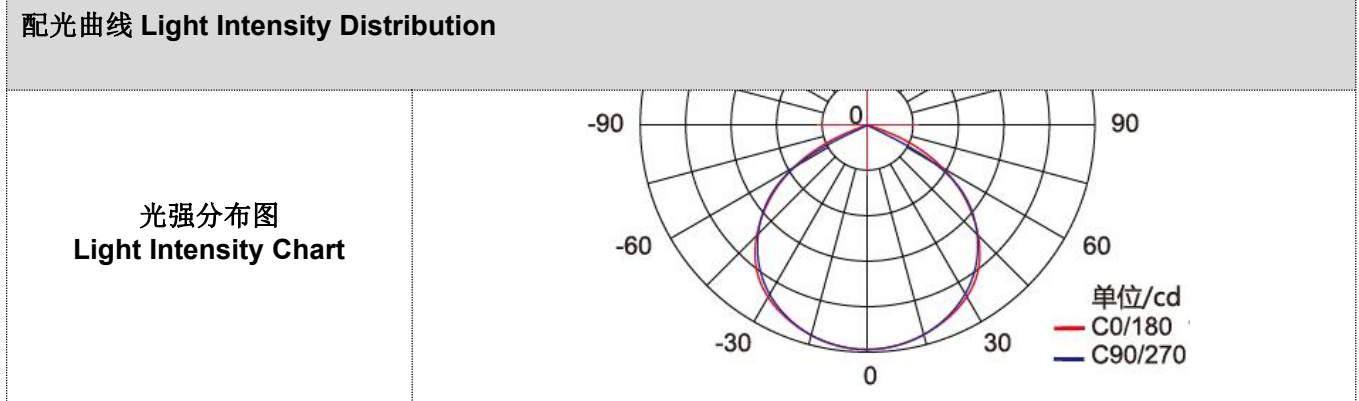
色彩Color Range	RGB
光源Light Source	32pcs SMD RGB LEDs
寿命 Source Life	50,000 h
材质 Material	高强度铝合金 High strength aluminum alloy
重量Weight	0.3Kg

工作条件Environmental SP32 specifications

工作温度Working Temperature	-40°C to 50°C
储存温度Storage Temperature	-40°C to 70°C

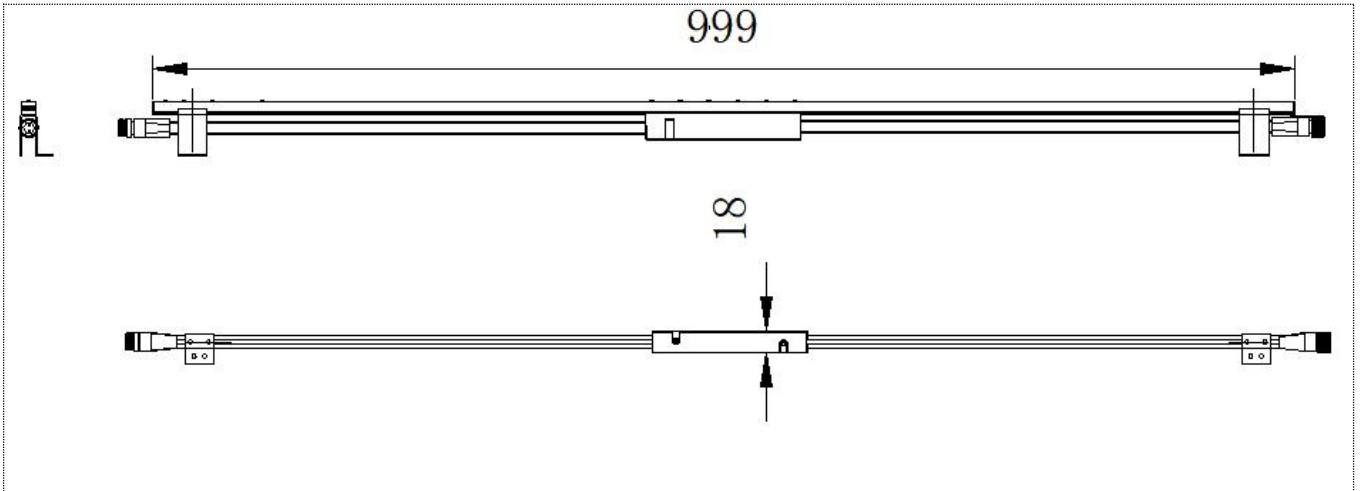
防护等级Protection Rating	IP66
电气参数 Electrical Specifications	
工作电压Working Voltage	DC 48V
最大功率Max. Power Consumption	10W
光学参数 Optical Specifications	
光通量 Light Intensity	混白光: $\geq 180\text{lm}$
光束角Beam Angle	$\geq 105^\circ$

控制器Controller	
主控制器Host Controller	EXC-4000、EXC-5000、EXC-6000、EXC-8000、EXC-10000、EXC-ELAN
分控制器Slave Controller	EXC-2900
数据适配器Data Interface	
首 板Data Adapter	-
数 据 线Signal Cable	EXC户外专用连接线 EXC-LED outdoor special cable



可提供型号 Order Info												
系列选择	规格型号	光源	颜色	控制方式	灰度级别	段数	故障反馈	材质	工作电压	功率	光通量	灯珠品牌
SP系列	EXC-SP32 A-M32	32pcs SMD RGB LEDs	RGB	DMX 512	≥ 256	32	否	铝壳	DC48 V	10W	$\geq 180\text{lm}$	可选

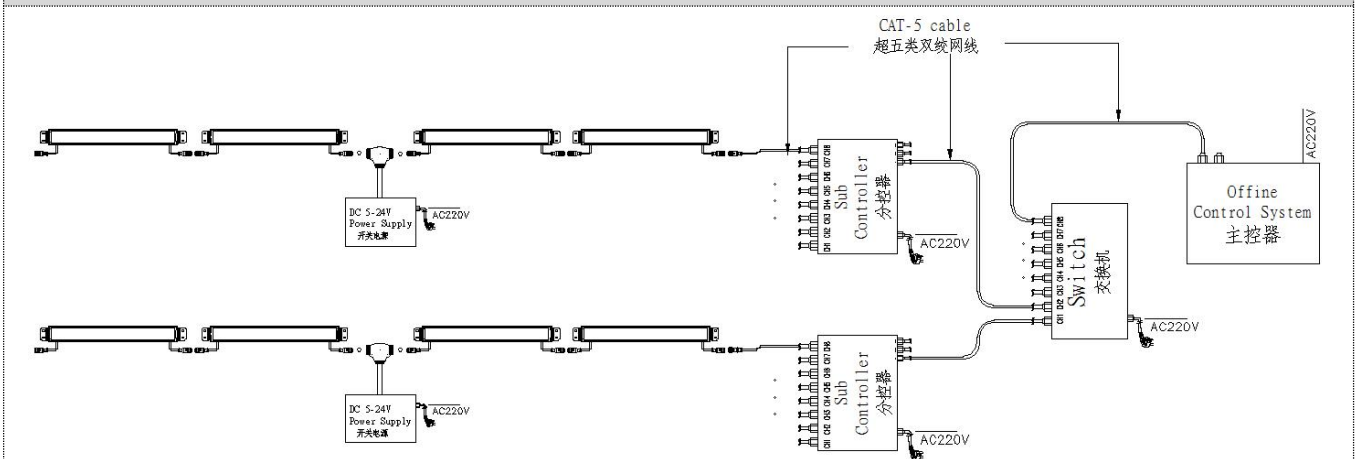
产品尺寸图: **Physical Dimension** 单位: mm Unit: mm



系统连线图: System connection diagram:

- 1、主控制器配套分控器使用，主控、分控工作电压AC220V。
 - 2、联机主控配套分控器使用，联机主控、分控工作电压AC220V。
 - 3、每台分控器带8端口，每端口可带512像素点，采用超五类双绞线连接支持100米超长距离传输。
 - 4、主控与交换机之间，交换机与交换机之间、分控与分控之间采用超五类双绞线连接，每段最大距离不超过100米；
 - 5、灯具点间距最大不超过5米，超过需加信号放大器。
- 1、Host controller should connect with slave controller. Working voltage for controllers are AC220V.
 - 2、On-line main controller should connect with slave controller, on-line main controller and sub controller working voltage are AC220V.
 - 3、each sub-controller with 8 ports, with each port 512 pixels, supporting data converter, supports 100 meters ultra-long haul transmission.
 - 4、The CAT-5 e. cable distance should be within 100 meters between host controller and slave controller, between slave controllers and switch, etc.
 - 5、the maximum spacing of not more than 5 meters, more than the need to add a signal amplifier.

脱机控制 Offline Controlling System Diagram



联机系统图: Online Controlling System Diagram

