

## EXC-P40AP2 LED Pixel Light



Application Environment:  
Indoor  
Outdoor

### Description

**EXC-P40AP2 full-color series** consists of professional chip LED pixel lights specially designed by EXC for outdoor high-rise landscape lighting. Each pixel is a separate lighting pixel, and each pixel can realize 65536 grades gray scale changing; they can be used for extra-large area display of building facades, contour shaping, interior and exterior surface decoration lighting; the pixel pitch can be customized; its installation is simple and reliable.

### Features

- The newest generation technology: DMX512 parallel bus design
- Integrated clip-on endless connection
- Fully sealed and waterproof design with high thermal conductive adhesive imported from Germany
- Special outdoor lightning and ESD protection

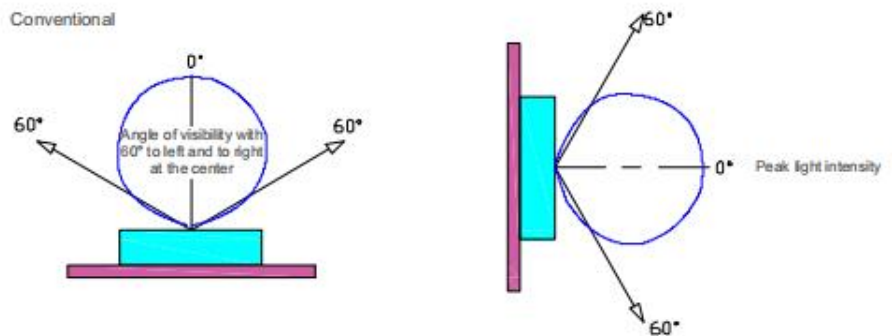
### Basic Specifications

Color	RGB+W
Working Voltage	24V
Max. Power Consumption	1.8W
Light Source	4pcs SMD RGB+ 2pcs SMD W LEDs
CRI	80
Control	DMX512
Grey Scale	8bit,16bit
Source Life	50,000h
RDM	Optional
LED chip Brand	Optional(Cree, OSRAM, Lumileds, Epistar, etc...)
Cover	PC(Transparent,Opal)
Housing	PC+ABS
Weight	35g
Dimensions	62mm x 40.5mm x 15mm (L x W x H, exclude Mounting Bracket)
Installation	Installation By Aluminum Profile
Working Temperature	-40°C to 60°C

Storage Temperature	-40°C to 70°C
Protection Rating	IP66
Luminous Flux	25LM/W(RGB), 50LM/W(White), 30LM/W(RGBW)
Central Light Intensity	21cd
Beam Angle	120°

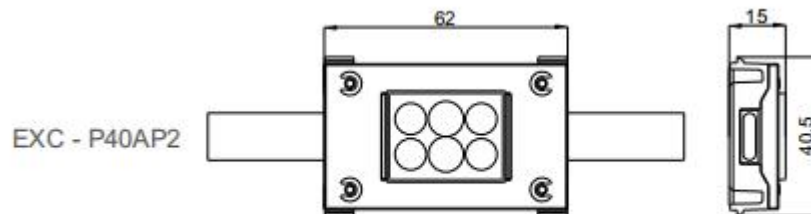
### Light Intensity Distribution

Light Intensity Chart

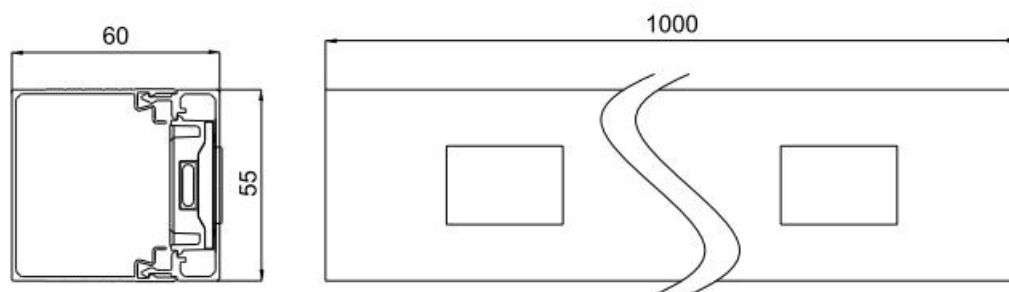


### Physical Dimension

Unit:mm



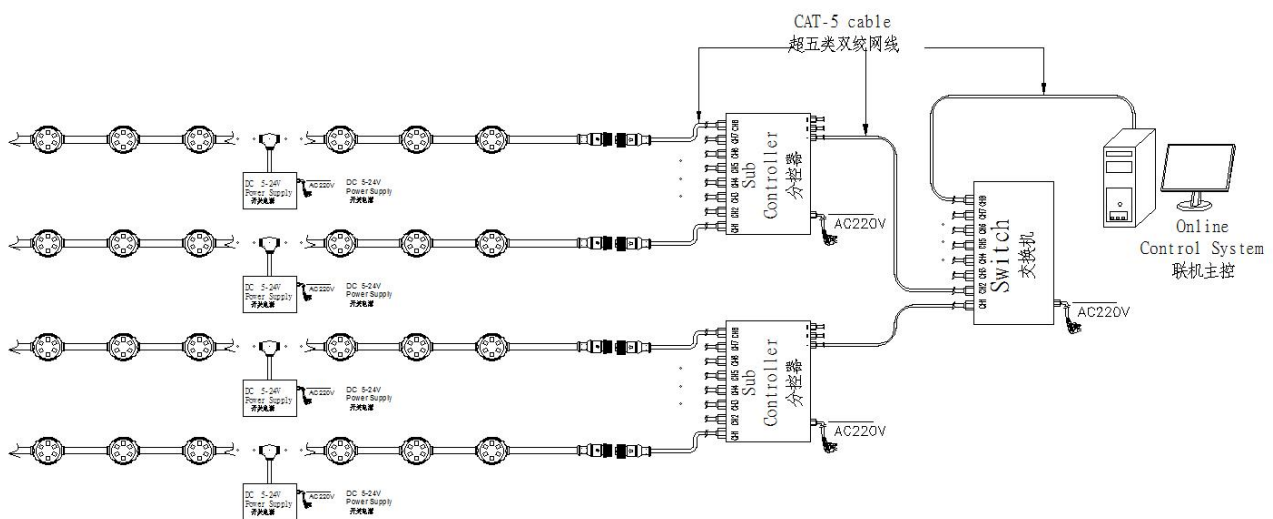
### Installation by Aluminum Profile



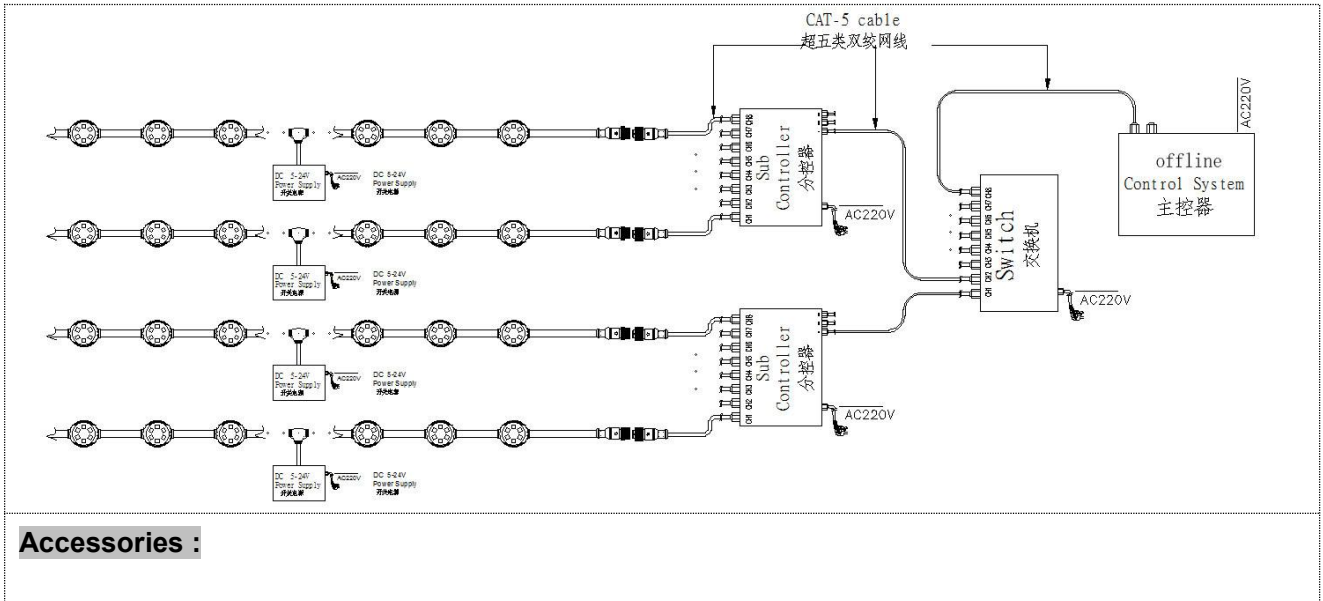
### System connection diagram:

- 1, Host controller should connect with slave controller. Working voltage for controllers are AC220V.
- 2, On-line main controller should connect with slave controller, on-line main controller and sub controller working voltage are AC220V.
- 3, each sub-controller with 8 ports, with each port 512 pixels, supporting data converter, supports 100 meters ultra-long haul transmission.
- 4, The CAT-5 e. cable distance should be within 100 meters between host controller and slave controller, between slave controllers and switch, etc.

### Online Controlling System Diagram

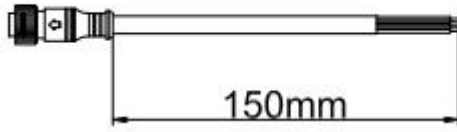


### Offline Controlling System Diagram

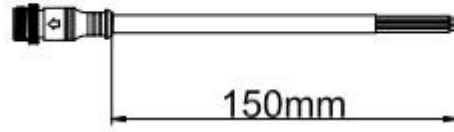


**1: Female and Male Connector( Connect to first dot light for signal transmission)**

Female Connector

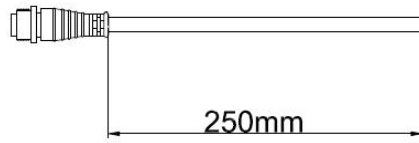


Male Connector

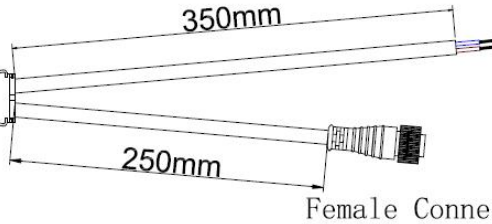


**2: Y Shape Connector(For power Distribution)**

Male Connector



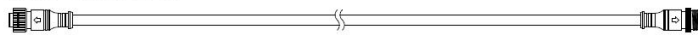
350mm



Female Connector

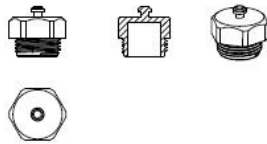
**3: Interconnection Cable(1.3M,3M,5M is standard length)**

Female Connector

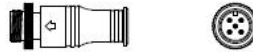


Male Connector

**4: End Cap**



Male Connector



Male Connector