

EXC-B200CBH LED flood light



Application Environment:
Indoor
Outdoor

Description

EXC-B200CBH project-light lamp series products are specially designed for outdoor landscape lighting design of a high strength aluminum alloy shell, bar monochromatic high-power extremely lamp; Can be used for specific lighting area or landscape projection light column, applied to the building high elevation, cylinder face and so on; The projection is high and the effect is outstanding.

Features

- Unique humanized anti-glare cutting light design, built-in cylindrical anti-glare grating optical device
- Unique lens design, can achieve ultra narrow, ultra far, ultra bright and other special effect requirements
- Low thermal resistance path cooling design
- Innovative pressure balance waterproof design, protection grade IP66
- Lightning and ESD protection

Basic Specifications

Color Range	RGBW/RGB/W
Light Source	SMD R/G/B/W LED
Source Life	35,000h
Material	High Strength Aluminum housing / tempered glass
Weight	34.2Kg

Environmental Specifications

Working Temperature	-40°C至50°C -40°C to 50°C
Storage Temperature	-40°C至70°C -40°C to 70°C
Protection Rating	IP66

Electrical Specifications

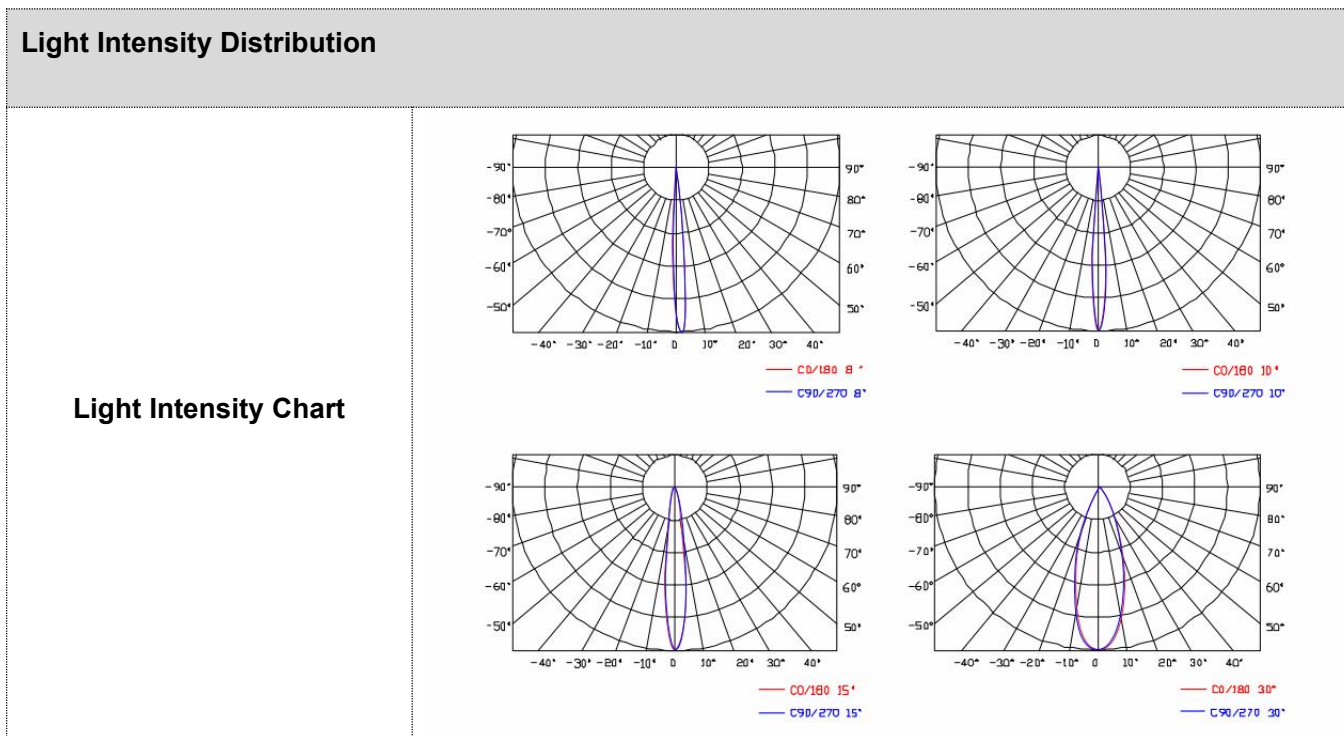
Working Voltage	AC220V
Max. Power Consumption	900W

Optical Specifications

Beam Angle	XPE2:3° XPG: 5° W-3030P7: 10° /15° /20° /30° /45° /60° /80° RGB-3030P7/CREE XP 6° /8° /10° /15° /20° /30° /45° /60° /80°
------------	--

3535: 30° /45° /60° /80° 5050: 17° /20° /30° /45° /60°

Controller	
Host Controller	EXC-Y220、EXC-Y880、EXC-M520、EXC-5200、EXC-6000、EXC-8000、EXC-10000
Slave Controller	EXC-2905、EXC-S880

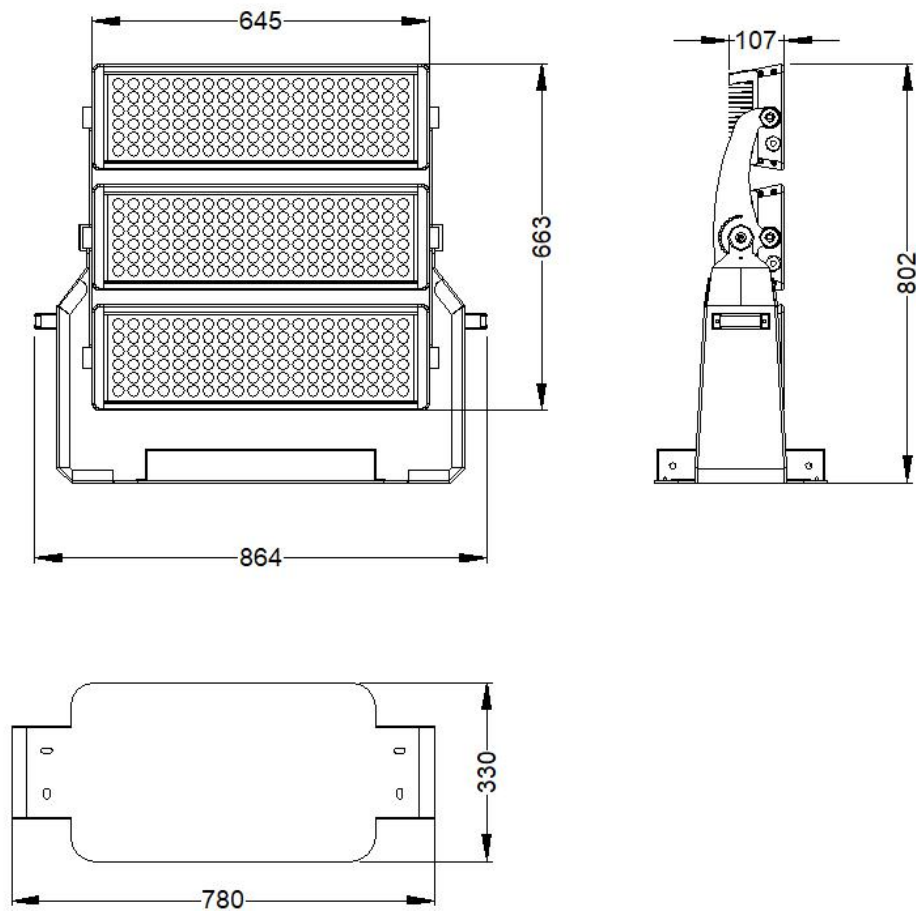


Order Info

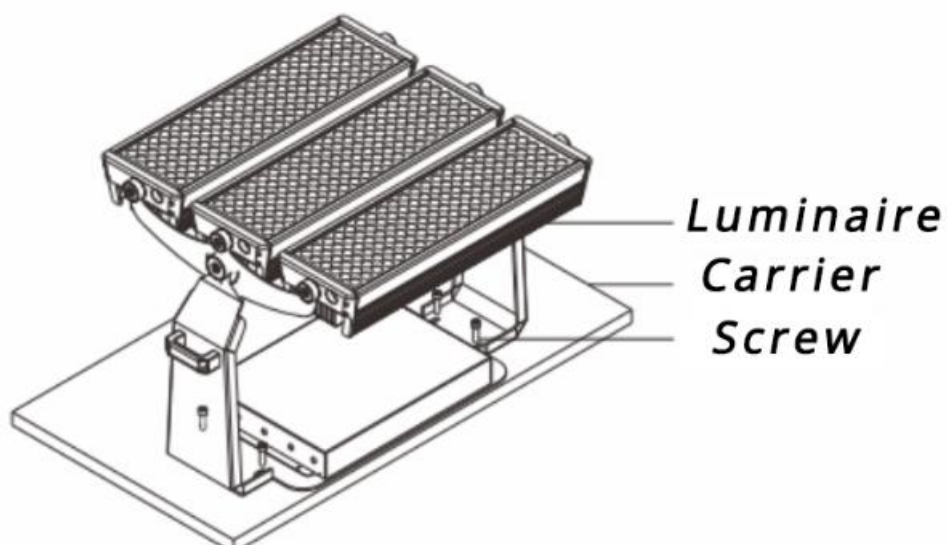
Model	Voltage	Wattage	Light Source	Control ling	Gray Scale	Material	Lumen	CHIP
EXC-B200CBH	AC220V	1080W	120*3PCS RGBW	DMX512	256/65536	Aluminum+ Tempered Glass	≥40lm/w	Optional
EXC-B200CBH	AC220V	900W	(30R+30G+30B+30W) *3	DMX512	256/65536	Aluminum+ Tempered	≥35lm/w	Optional
EXC-B200CBH	AC220V	900W	(40R+40G+40B) *3	DMX512	256/65536	Aluminum+ Tempered	≥30lm/w	Optional
EXC-B200CBH	AC220V	720W	120*3 WHITE	ON/OFF	/	Aluminum+ Tempered	≥65lm/w	Optional
EXC-B200CBH	AC220V	720W	60*3 WHITE	ON/OFF	/	Aluminum+ Tempered	≥65lm/w	Optional
EXC-B200CBH	AC220V	540W	60*3 WHITE	ON/OFF	/	Aluminum+ Tempered	≥65lm/w	Optional

Physical Dimension

单位: mm Unit: mm



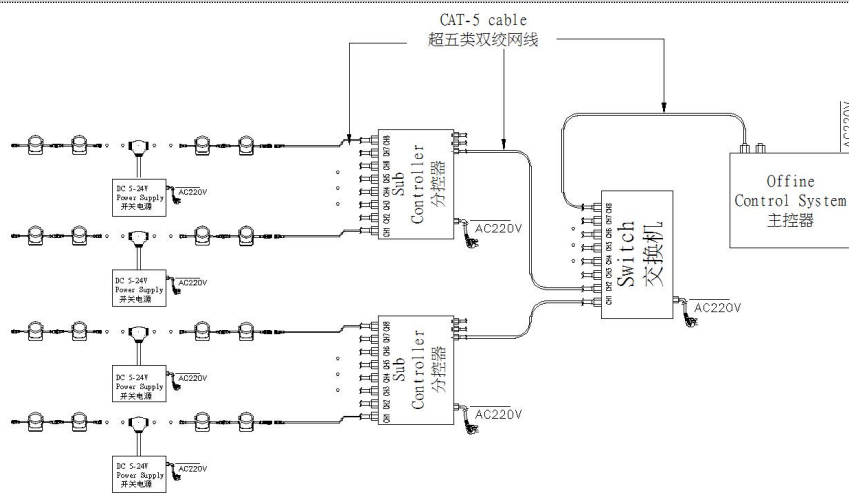
Installation Diagram



System connection diagram:

- 1、 Host controller should connect with slave controller. Working voltage for controllers are AC220V.
- 2、 On-line main controller should connect with slave controller, on-line main controller and sub controller working voltage are AC220V.
- 3、 each sub-controller with 8 ports, with each port 512 pixels, supporting data converter, supports 100 meters ultra-long haul transmission.
- 4、 The CAT-5 e. cable distance should be within 100 meters between host controller and slave controller, between slave controllers and switch, etc.

Offline Controlling System Diagram



Online Controlling System Diagram

