

EXC-B185CBH LED Flood Light



Application Environment:
Indoor
Outdoor

Description

EXC-B185CBH full color series are high power outdoor landscape flood lighting fixture with high strength aluminum alloy housing by EXC-LED. Each lighting fixture is a separate lighting pixel, and each pixel can realize 8bit/16bit grades gray scale changing. Each lighting fixture can be used for accent lighting or flood lighting, such as building facade, bridge, stage, etc.

Features

- The newest generation technology: DMX512 parallel bus design
- High strength aluminum and low thermal resistance path cooling design
- High reliability modularization design
- Outdoor lighting protection and electrostatic discharge (ESD) protection design
- Load safety design
- Projection distance: 3-15m

Basic Specifications

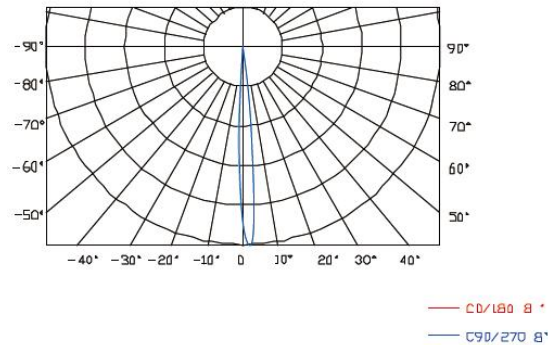
| | |
|------------------------|--------------------------------------------------|
| Color Range | W(2200K-6500K), R+G+B, R+G+B+W, RGBW |
| Working Voltage | AC 220V |
| Max. Power Consumption | 36W/48-72W |
| Light Source | 18/24PCS High Power LEDs |
| LED chip Brand | Optional(Cree, OSRAM, Lumileds, Epistar, etc...) |
| CRI | 80 |
| Control | DMX512, ON/OFF |
| Source Life | 50,000 h |
| Housing | High Strength Aluminum |
| Cover | Tempered glass |
| Weight | 3.8Kg |

| | |
|---------------------|-------------------------------------------------------------------------------------------------------------------------------------------------------------------------------|
| Dimensions | 210mm x 184mm x 261mm (L x W x H, exclude Mounting Bracket) |
| Installation | Installation with screws |
| Working Temperature | -40°C to 60°C |
| Storage Temperature | -40°C to 70°C |
| Protection Rating | IP66 |
| Efficiency flux | ≥60LM/W(White), ≥40LM/W(RGBW), ≥30LM/W(RGB) |
| Beam Angle | W-3030P7: 8° /10° /15° /20° /30° /45° /60° /80° RGB-3030P7/CREE XP series: 8° /10° /15° 20° /30° /45° /60° /80° 3535: 30° /45° /60° /80° 5050: 20° /30° /45° /60° |

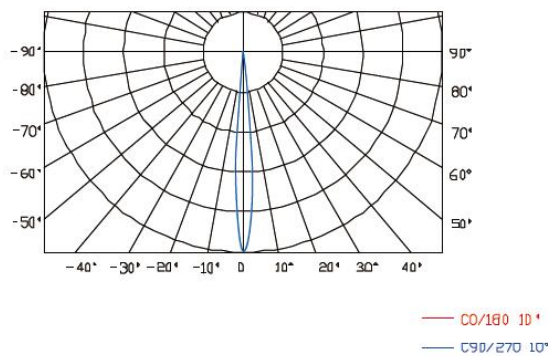
| | |
|------------------|-------------------------------|
| Host Controller | EXC-5200 |
| Slave Controller | EXC-2905T1 |
| Signal Cable | EXC-LED outdoor special cable |

Light Intensity Distribution

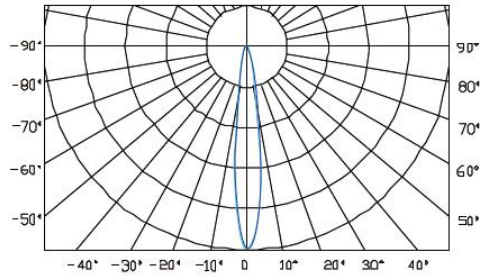
**8°
Light Intensity Chart**



**10°
Light Intensity Chart**



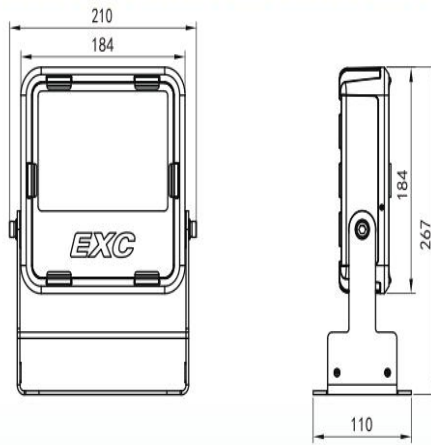
**15°
Light Intensity Chart**



— CO/180 15°
— C90/270 15°

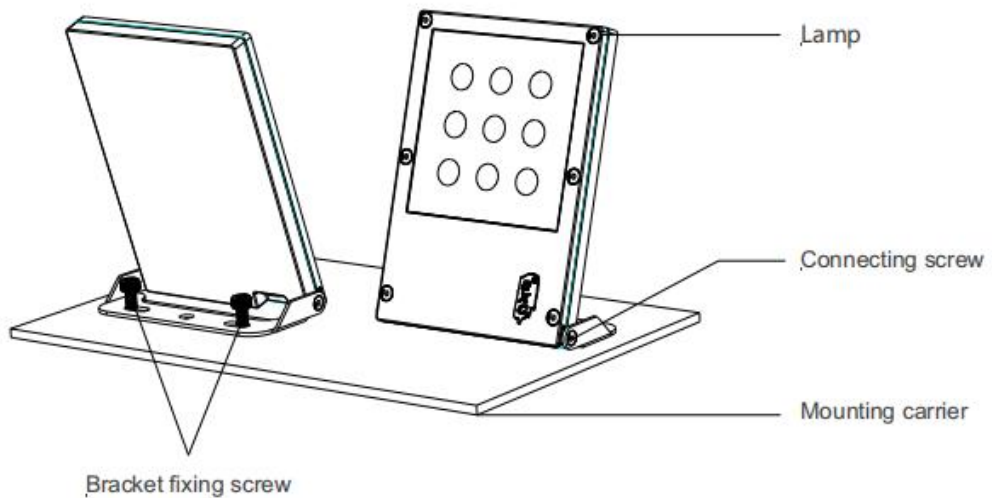
Physical Dimension

Unit: mm



Installation Diagram

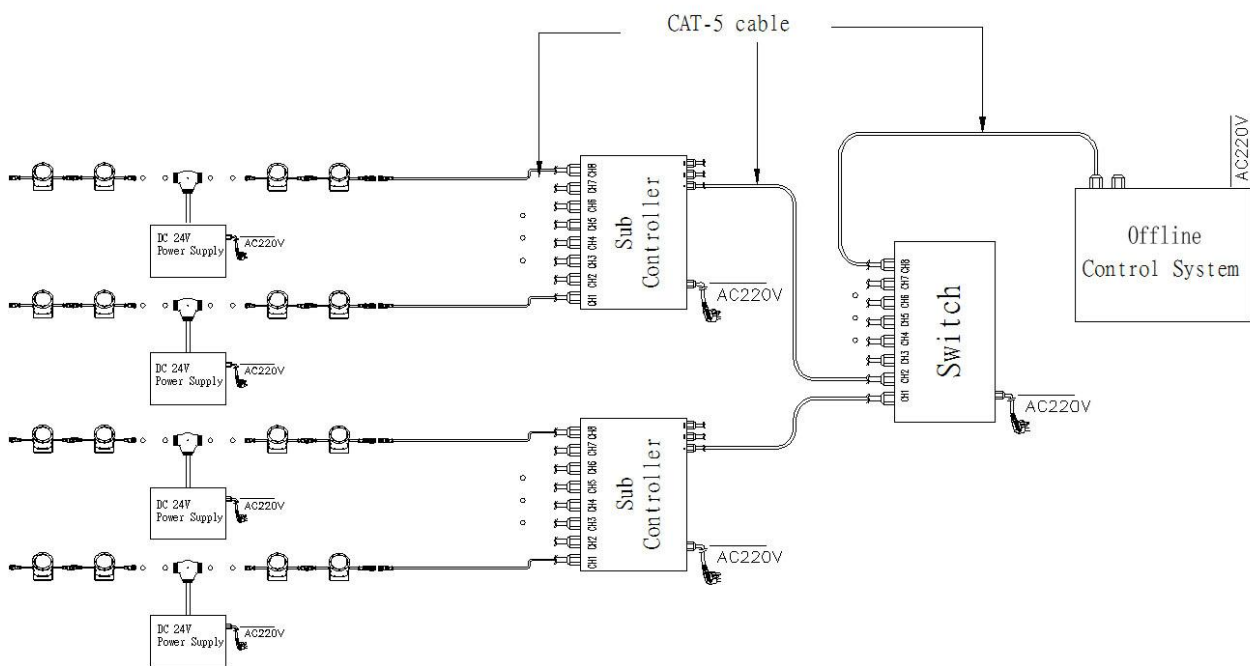
Select two M6 screws to fix the lamp to the required position as shown in the figure. After the lamp is firmly installed, adjust the angle of the lamp according to actual needs and then lock the connecting screws.



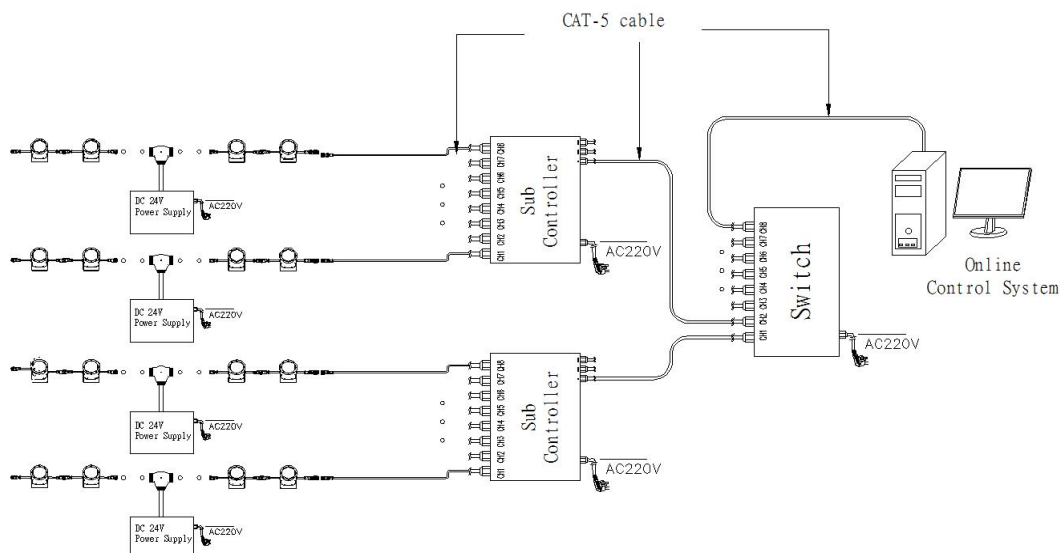
System connection diagram:

- 1、 Host controller should connect with slave controller. Working voltage for controllers are AC220V.
- 2、 On-line main controller should connect with slave controller, on-line main controller and sub controller working voltage are AC220V.
- 3、 each sub-controller with 8 ports, with each port 512 pixels, supporting data converter, supports 100 meters ultra-long haul transmission.
- 4、 The CAT-5 e. cable distance should be within 100 meters between host controller and slave controller, between slave controllers and switch, etc.

Offline Controlling System Diagram



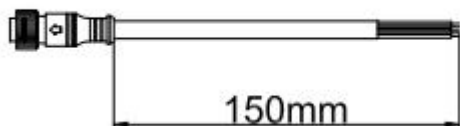
Online Controlling System Diagram



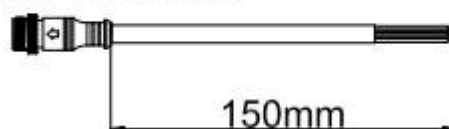
Accessories :

1: Female and Male Connector(Connect to first dot light for signal transmission)

Female Connector

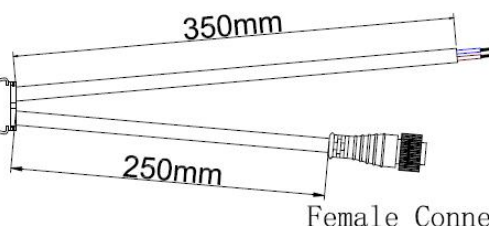


Male Connector



2: Y Shape Connector(For power Distribution)

Male Connector



Female Connector

3: Interconnection Cable(1.3M,3M,5M is standard length)

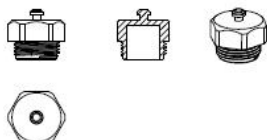
Female Connector



Male Connector



4: End Cap



Male Connector



Male Connector